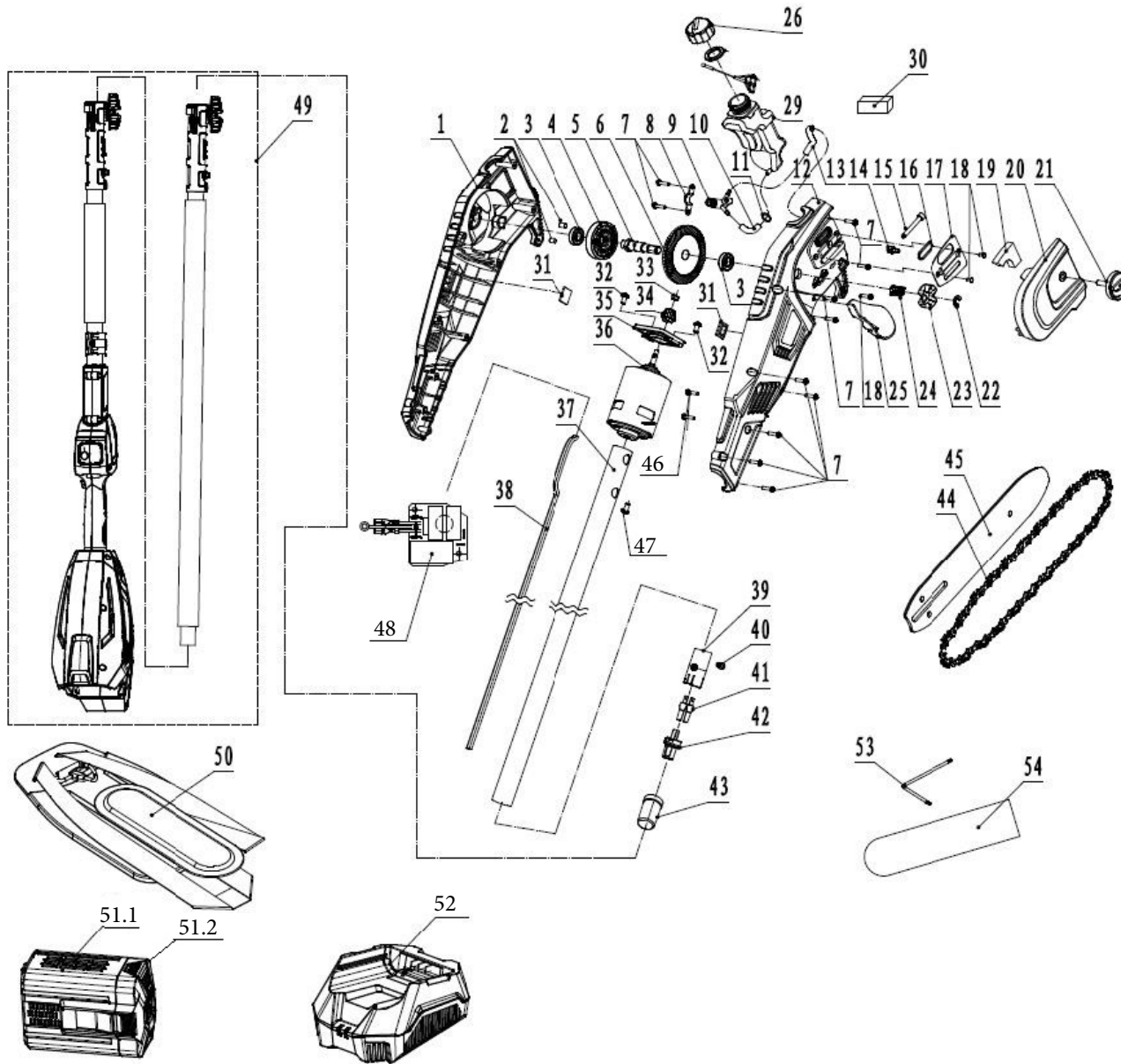


Model: PCZ 5800

Part Number: 90070045

Year: 2019

POS	QTY	PARTNUMBER	BESKRIVELSE	DESCRIPTION
1	2	441835	SAMLESTYKKE	P551 DOCKING MECHANISM
2	4	441836	MØTRIK M	SCREW M6
3	2	441837	BOLT M6X20	SCREW M6*20
4	2	441838	BOLT M5X8	SCREW M5*8
5	2	441839	SKIVE	GASKET Ø6.4*Ø12*1.6
6	2	441840	FINGERBOLT	P551 KNOB
7	2	441841	PIND	ELASTIC CYLINDRICAL PIN Ø4*12
8	2	441842	FJEDER	P551 SPRING
9	2	441843	LÅS	P551 LOCK
10	6	441844	TERMINAL	P551 SOCKET TERMINAL
11	2	441845	TERMINAL	P551 SOCKET TERMINAL
12	2	441846	SOKKEL	P551 SOCKET SHEATH
13	1	441642	KRYMPERØR	G511 HANDLE SPONGE CASING Ø24*Ø34*200
14	1	441643	BESLAG FOR SELE	G5302 HARNESS CLAMP
15	1	441644	PLASTIK BESLAG	G5302 PLASTIC LINER
16	1	441645	KLEMMEBESLAG	G5302 CLAMP
17	1	441646	MØTRIK M5	SCREW M5
18	1	441647	BOLT M5X20	SCREW M5*20
19	1	441847	RØR	P551 MAIN ENGINE ALUMINUM TUBE
20	1	441848	LEDNING	P551 MAIN ENGIN WIRE
21	2	441650	O-RING 25X3,65	RING SEAL 25*3.65
22	1	441849	HOLDER	P551 BRUSH CONTROLLER ASSY
23	1	441653	STØDDÆMPER	G511 SPEED-CONTROL SWITCH
24	2	441652	KONTAKT	G511 SHOCK ABSORBER
25	1	441654	STARTERHÅNDTAG	G511 TRIGGER
26	1	441655	BATTERIKONSOL	C501 BATTERY BUNKER SOCKET
27	3	441656	STIK	C501 PLUG
28	2	441657	FJEDER	B521 BATTERY BUNKER SPRING
29	2	441658	SELVLÅSENDE KONTAKT	C501 BATTERY PACK RESET PILLAR
30	2	441660	DÆKSEL VENSTRE	G511 LEFT COVER
31	1	441660	DÆKSEL VENSTRE	G511 LEFT COVER
32	1	441661	STOPKONTAKT	G511 RESET COVER
33	2	441662	STOP FJEDER	C501 RESET SPRING
34	1	441663	TOP DÆKSEL	G511 DECORATIVE COVER
35	1	441664	BESLAG VENSTRE	G511 LEFT BRACKET
36	1	441665	DÆKSEL HØJRE	G511 RIGHT COVER
37	1	441666	BESLAG HØJRE	G511 RIGHT BRACKET
38	28	441667	SKRUE ST3,9X16	SCREW ST3.9*16



Model: PCZ 5800

Part Number: 90070045

Year: 2019

POS	QTY	PARTNUMBER	BESKRIVELSE	DESCRIPTION
1	1	441850	COVER	P551 LEFT COVER
2	2	441851	GUMMIBØS	P551 BEARING RUBBER
3	2	441724	LEJE Ø10X22X6	BEARING ?10X?22X6 (61900)
4	1	441852	HJUL EKSENTRIK	P551 ECCENTRIC WHEEL
5	1	441853	AKSEL	P551 GEAR SHAFT
6	1	441854	GEAR	P551 DRIVEN GEAR
7	11	441667	SKRUE ST3,9X16	SCREW ST3.9*16
8	1	441855	BESLAG	P551 BUMP TABLETTING
9	1	441856	OLIEPUMPE	P551 OIL PUMP
10	1	441857	OLIESLANGE	P551 OIL INLET PIPE Ø3*Ø7*38
11	1	441858	HOLDER	Ø5.7 OIL TUBE CLAMP
12	1	441802	COVER HØJRE	P552 RIGHT COVER
13	1	441859	OLIESLANGE	P551 OIL OUTLET PIPE Ø3*Ø7*65
14	1	441860	PIND	2000 TENSION PIN
15	1	441861	SKRUE	P551 TENSION SCREW
16	1	441862	PAKNING	P551 OIL OUTLET SEAL
17	1	441863	PLADE	P551 OUTLET COVER PLATE
18	3	441680	SKRUE ST3,9X9,5	SCREW ST3.9*9.5
19	1	441864	KÆDEFANG	P551 PRESSURE RUBBER
20	1	441865	SIDEDÆKSEL	P551 CLUTCH COVER
21	1	441866	HÅNSKRUE	P551 FIXED KNOB
22	1	441867	LÅS	Ø7 CIRCLIP
23	1	441868	KÆDEHJUL	C501 CHAIN WHEEL
24	1	441869	FJEDER	C501 TENSION SPRING
25	1	441870	KLODS	P551 CHIP RUBBER
26	1	441871	OLIELÅG KOMPLET	P551 OIL POT CAP ASSY
29	1	441874	TANK	P551 OIL POT
31	2	441876	KLODS GUMMI	P551 MOTOR RUBBER
32	2	441877	BOLT M5X12	SCREW M5*12
33	2	441878	MØTRIK M5	SCREW M5
34	1	441879	GEAR	P551 DRIVING GEAR
35	1	441880	BREMSE	P551 MOTOR FIXED BRACKET
36	1	441881	MOTOR	P551 BRUSH MOTOR
37	1	441882	RØR	P551 OPERATION PART ALUMINUM TUBE (NEW)
38	1	441883	LEDNING	P551 OPERATION PART WIRE (NEW)
39	1	441884	RØR	P551 ALUMINUM TUBE LINK SOCKET SHEATH
40	1	441885	SKRUE 4X13	RIVET 4*13
41	3	441886	STIK	P551 ALUMINUM TUBE LINK SOCKET TERMINAL
42	1	441887	STIK	P551 ALUMINUM TUBE LINK SOCKET
43	1	441888	COVER	G4301 PROTECTIVE COVER
44	1	441889	SAVKÆDE 90PX033X	SAW CHAIN
45	1	441890	SVÆRD	OREGON GUIDE BAR 084MLEA041
46	2	441638	SKRUE ST3,5X6	SCREW ST3.5*6
47	1	441709	SKRUE M4X6	SCREW M4*6

POS	QTY	PARTNUMBER	BESKRIVELSE	DESCRIPTION
48	1	441891	STYRBOKS	P551 EMC FILTERING BOAR
49	1	441892	HUS	P551 MAIN ENGINE
50	1	441794	SELE	SHOULDER STRAP (MATCHING)
51.1	1	90070051	BATTERI 58V/2.0AH	BATTERY
51.2	1	90070052	BATTERI 58V/4.0AH	BATTERY 58V/4.0AH
52	1	90070054	LADER 58V	CHARGER
53	1	441711	NØGLE	T20 WRENCH
54	1	441893	BESKYTTER KÆDE	GUIDE BAR COVER